



UNIVERSAL LED EXIT LIGHT

Features:

- ⚡ Fits most slide-in brackets for quick light replacement – saves time and minimizes ceiling damage
- ⚡ Low power consumption
- ⚡ 50,000hr LED - Energy efficient, long life
- ⚡ Quick fit bracket for fast ceiling or wall mounting
- ⚡ Easy testing and maintenance
- ⚡ Premium range - Industry leading photometric classification
- ⚡ High-energy-density and long life Lithium-Ion battery



STOCK CODE: FBESTD

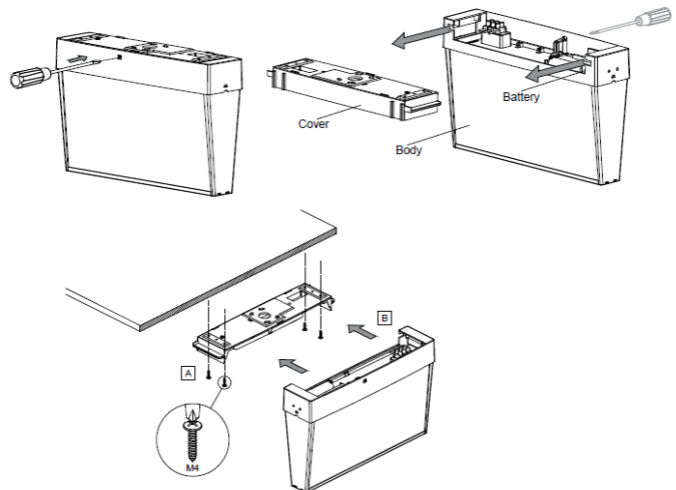
Comes with different decal options in one box for single or double sided needs.



Designed in Australia to comply with the requirements of the AS2293.3 / AS/NZS60598.1 / AS/NZS60598.2.22 and AS/NZS CISPR 15



Installation and Mounting



Dimensions:

Length	Width	Height
325mm	78mm	205mm

Specifications:

Voltage (V)	Classification	Frequency (Hz)	Charging Time	Duration	Max. Ambient Temp.	Battery Capacity
220 - 240	C0 : D4 C90 : D4	50/60	16 Hours	2 Hours	40 °C	1500mAh
Battery Type	Power Consumption	Viewing Distance	Mode	Mounting Type	IP Rating	Battery Voltage (V)
Lithium-Ion	3 Watts	24m	Maintained	Wall or Ceiling	IP20	3.2

Spacing Table:

(m)	2.1	2.4	2.7	3.0	3.3	3.6	4.0
D4	7.1	7.2	7.3	7.3	7.2	7.1	6.9

Refer to AS/NZS 2293.3 for details regarding classification of luminaries

Exit lights Online

